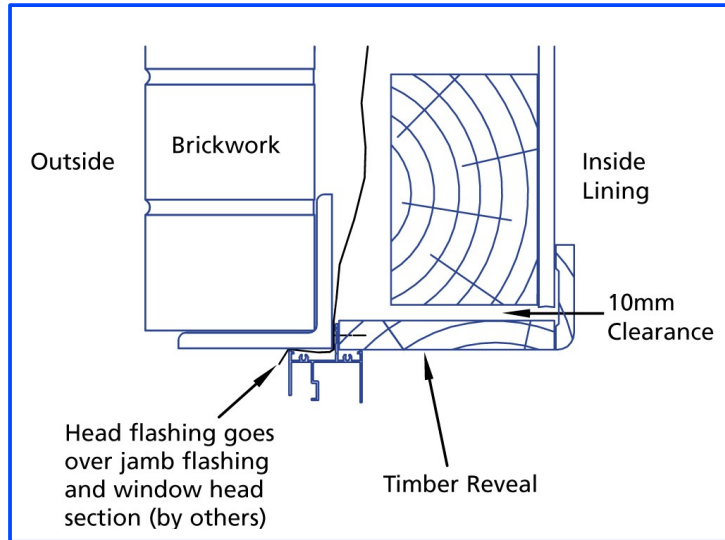


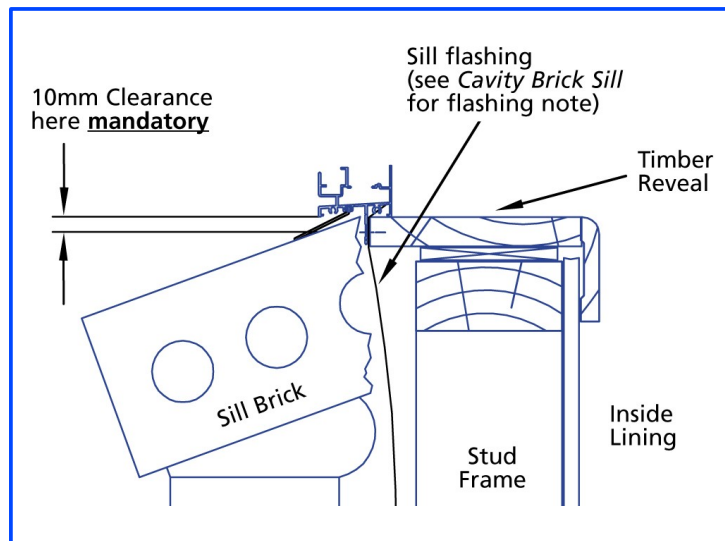
Brick Veneer Constructions – Applicable to 048, 050, 131 & 136 Series

Head Detail



Important: Ensure building loads **do not** bear on window

Sill Detail



Jamb Detail

