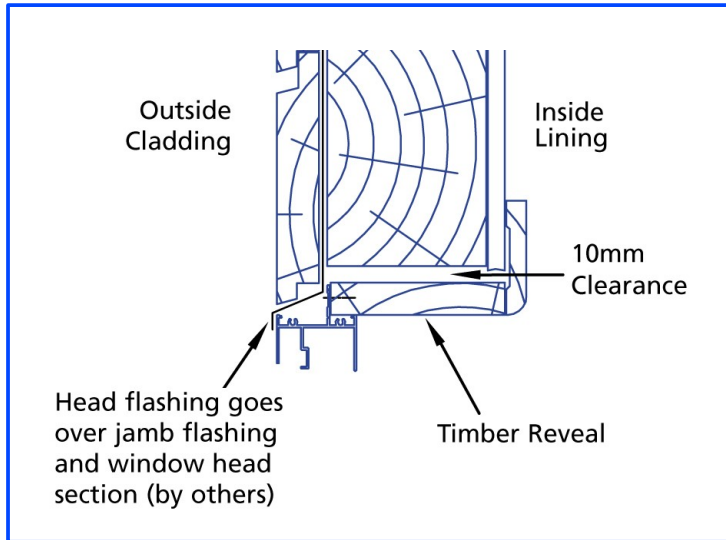
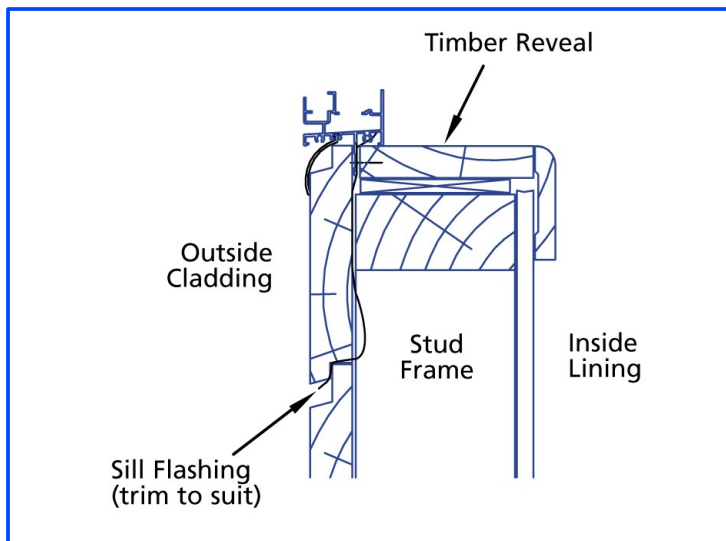


Timber Frame Constructions – Applicable to 048, 050, 131 & 136 Series

Head Detail



Sill Detail



Jamb Detail

