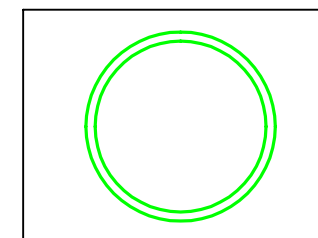
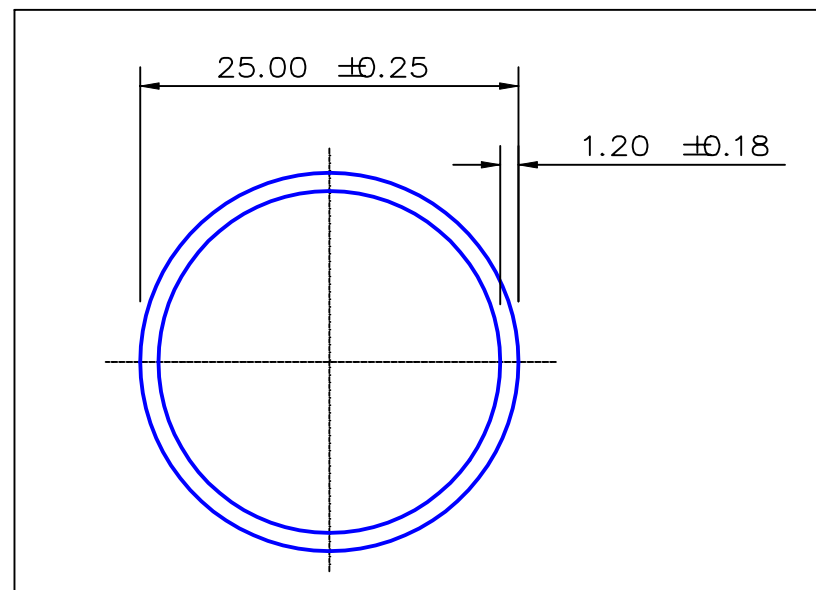


SECTION NO.  
950-050



TOTAL EXPOSED SURFACE  
ACTUAL SIZE

SECTION DATA:  
 $I_{xx} = 6\,369 \text{ mm}^4$   
 $I_{yy} = 6\,369 \text{ mm}^4$   
 $\text{Theta} = 1.0$   
 $\text{RadG}_x = 8. \text{ mm}$   
 $\text{RadG}_y = 8. \text{ mm}$   
 $X_{C_{\text{left}}} = 12.5 \text{ mm}$   
 $X_{C_{\text{right}}} = 12.5 \text{ mm}$   
 $Y_{C_{\text{top}}} = 12.5 \text{ mm}$   
 $Y_{C_{\text{bot}}} = 12.5 \text{ mm}$   
 $Z_{xx_{\text{top}}} = 510 \text{ mm}$   
 $Z_{xx_{\text{bot}}} = 510 \text{ mm}$   
 $Z_{yy_{\text{left}}} = 510 \text{ mm}$   
 $Z_{yy_{\text{right}}} = 510 \text{ mm}$

0.40 RADIUS ON ALL OUTSIDE CORNERS  
UNLESS OTHERWISE SPECIFIED

EXTRUDED FINISH : ARCHITECTURAL

				A						CUSTOMER G. JAMES EXTRUSION Co.		
				AREA	89.7	SQ MM					CUSTOMER PART NAME	NO.
				WEIGHT	0.243	KG M					25 x 1.2 ROUND TUBE	
				PERIMETER	149.5	MM					SCALE	TOLERANCES IN ACCORDANCE WITH AS 1866-1986 APPLY UNLESS OTHERWISE SPECIFIED
				ANOD PERIM	78.5	MM					2:1	
				PAINT PERIM	100.0	MM					DRAWN	CHECK
				C CIRCLE DIA	25.	MM					JWC	DATE
				FACTOR	615.							06/04/87
				ALLOY	6063							DWG. NO.
				TEMPER	T6							950-050
NO	DATE	DR	REVISION					 A.C.N 010 828 234 1082 KINGSFORD SMITH DRIVE, EAGLE FARM, QUEENSLAND, 4009 PO BOX 1376, EAGLE FARM BC, 4009 PHONE : (07) 3877 2833 FAX : (07) 3877 2890				