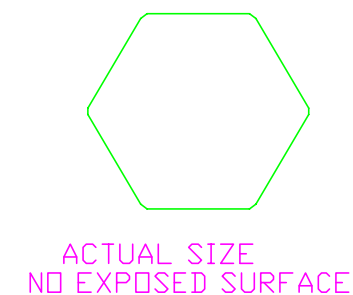
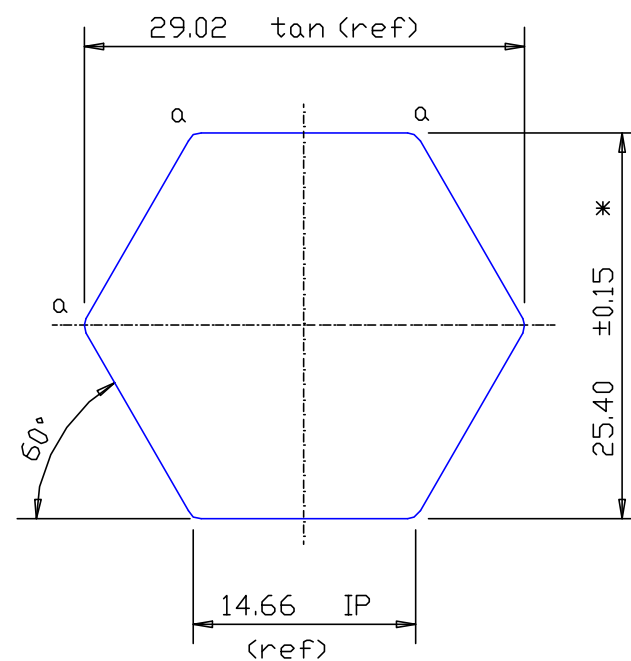


SECTION NO.
962-060



* = 1/2 STD TOLERANCE

MOMENTS OF INERTIA:
 $I_{xx} = 24\,998\text{ mm}^4$
 $I_{yy} = 24\,998\text{ mm}^4$

a = 1.00 radius

0.40 RADIUS ON ALL OUTSIDE CORNERS
UNLESS OTHERWISE SPECIFIED

EXTRUDED FINISH + STRUCTURAL

				AREA 558.4 SQ MM WEIGHT 1.513 KG M PERIMETER 87.3 MM ANOD PERIM 87.3 MM PAINT PERIM 100.0 (0.0) MM C CIRCLE DIA 29 MM FACTOR 58 ALLOY 6082 TEMPER T6	 A.C.N 010 828 234 1082 KINGSFORD SMITH DRIVE, EAGLE FARM, QUEENSLAND, 4009 PO BOX 1376, EAGLE FARM BC, 4009 PHONE : (07) 3877 2833 FAX : (07) 3877 2890		CUSTOMER G. JAMES EXTRUSION Co.	
				CUSTOMER PART NAME NO. 1" HEX BAR				
				SCALE 2:1		TOLERANCES IN ACCORDANCE WITH AS 1866-1986 APPLY UNLESS OTHERWISE SPECIFIED		
NO	DATE	DR	REVISION	DRAWN SPG		CHECK	DATE 19/09/02	DWG. NO. 962-060